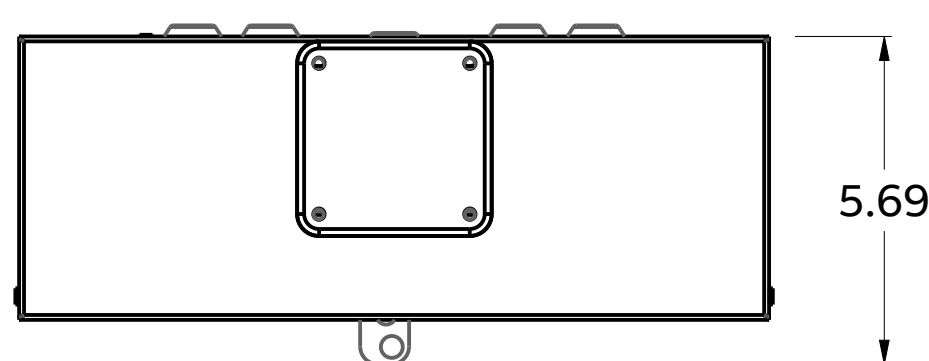


14

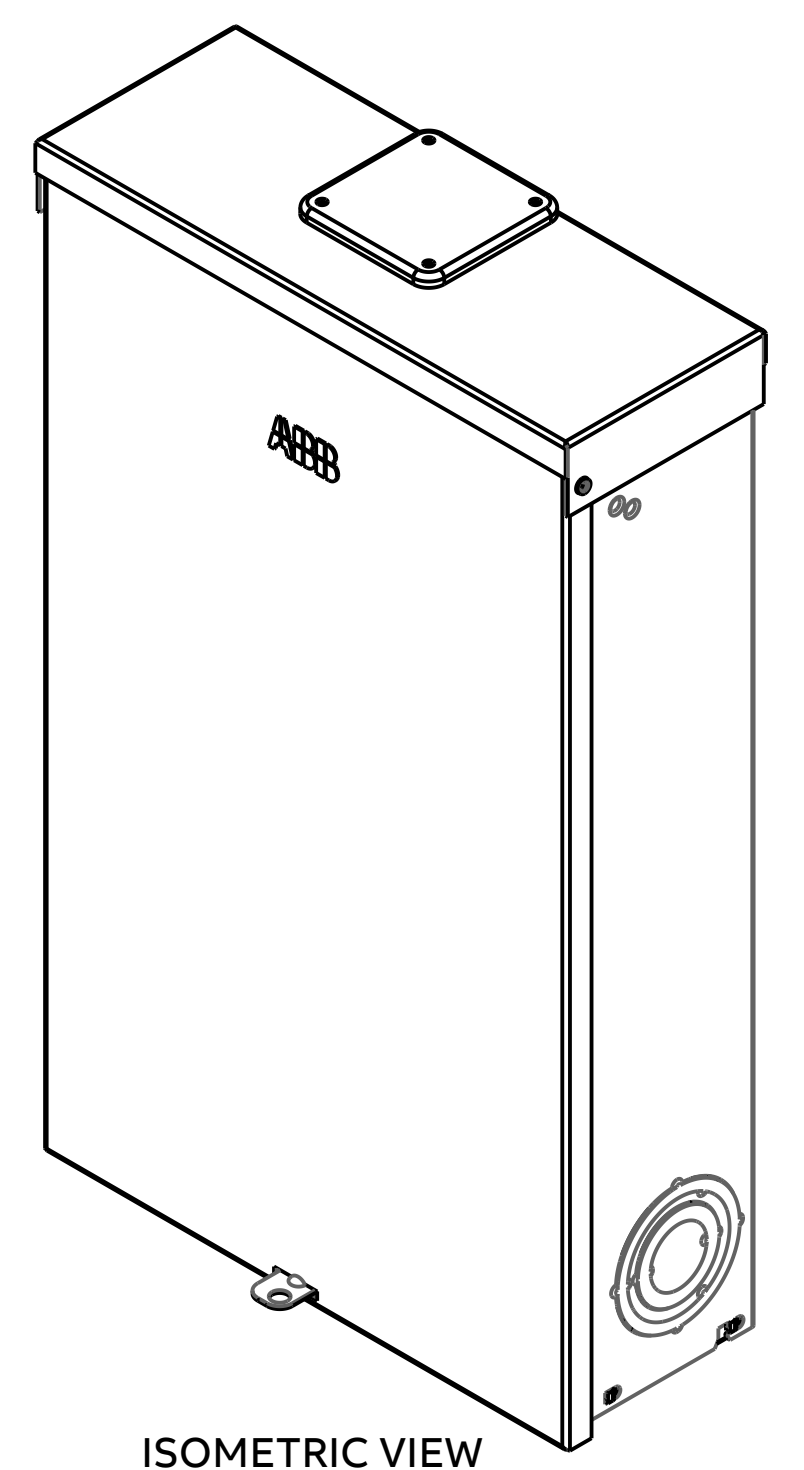
13

12

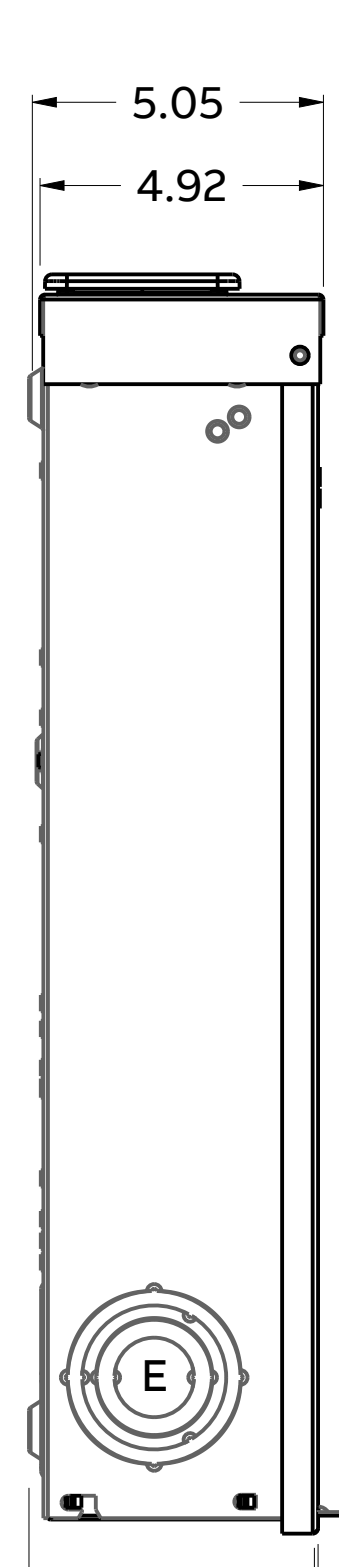
11



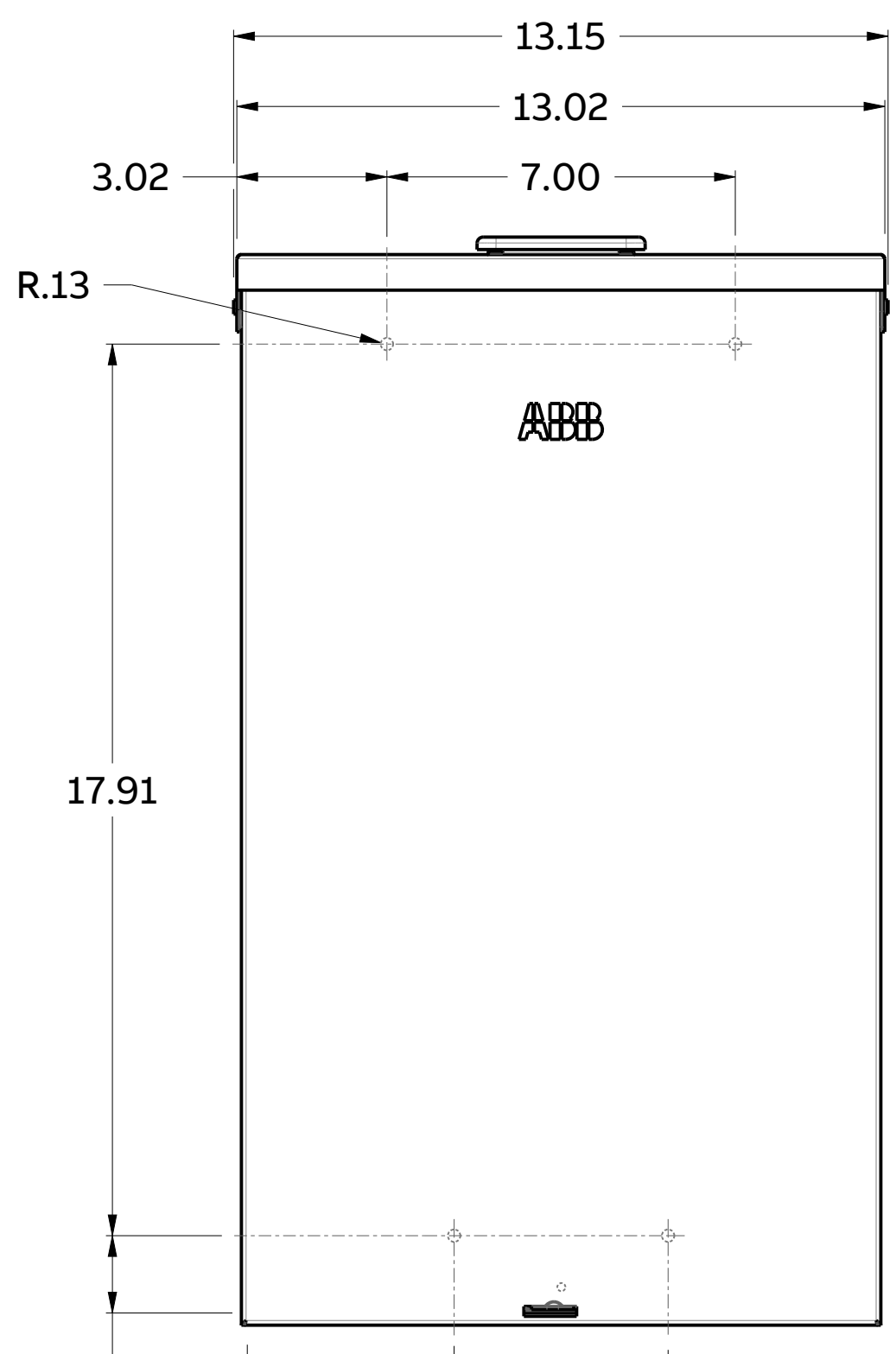
TOP VIEW



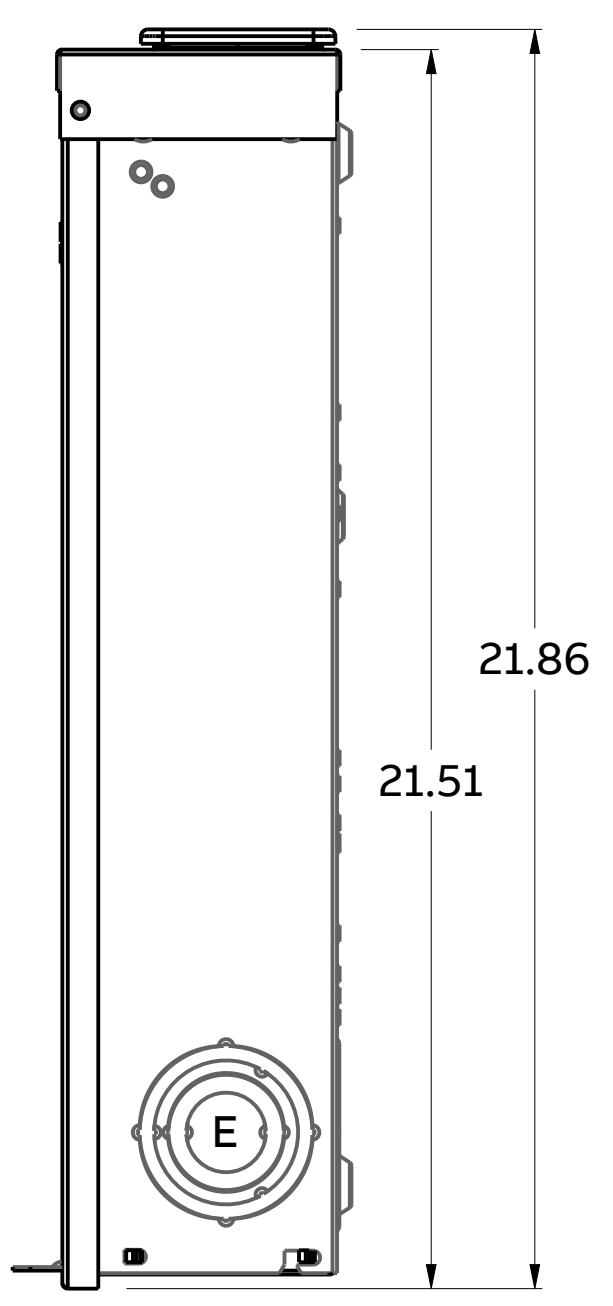
ISOMETRIC VIEW



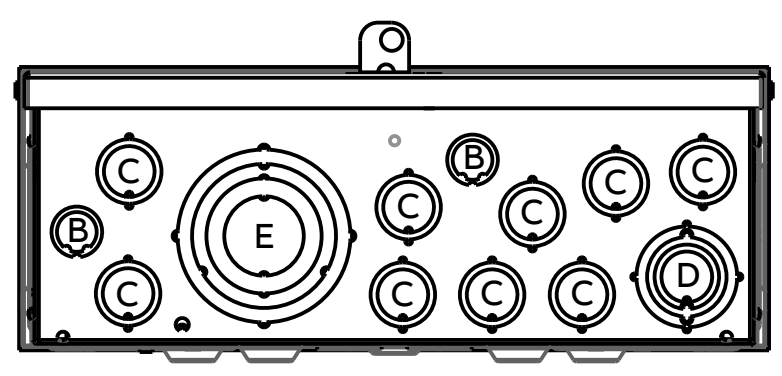
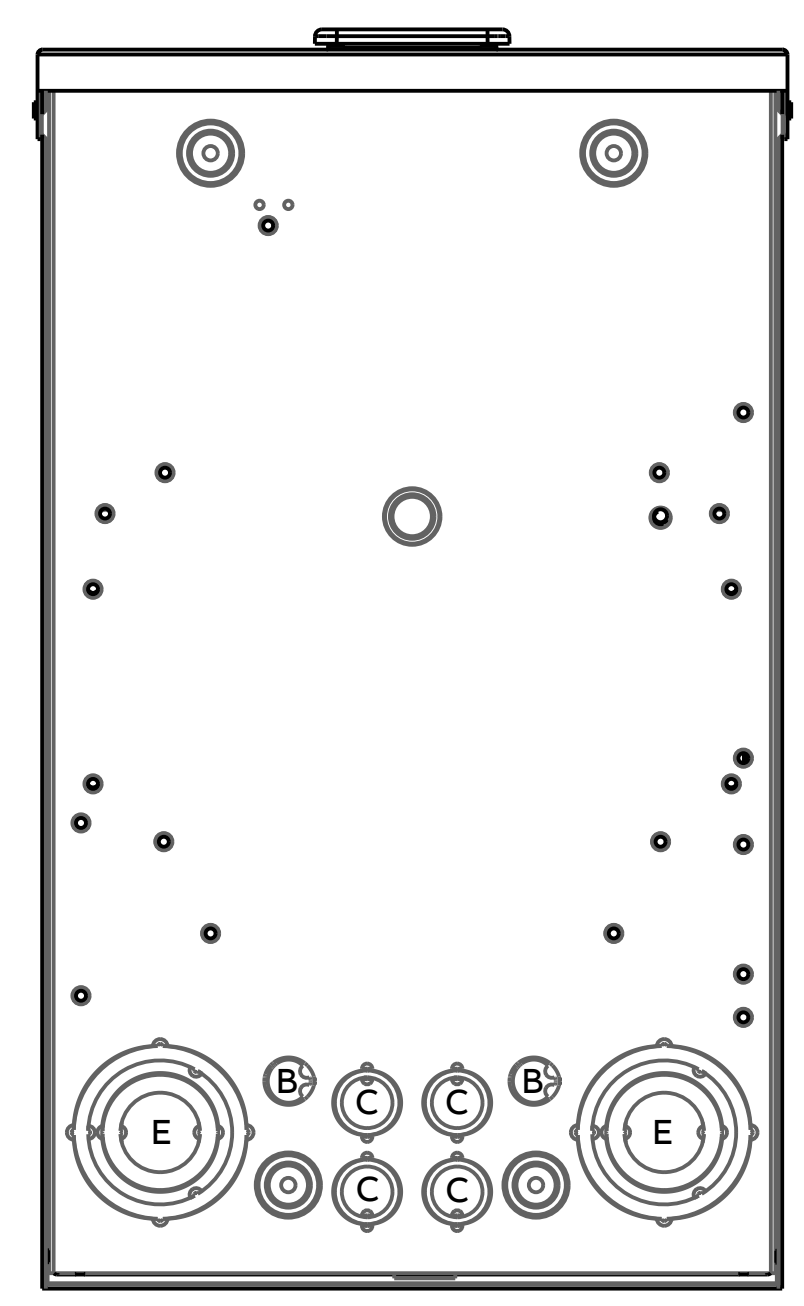
LEFT VIEW



FRONT VIEW



RIGHT VIEW



BOTTOM VIEW

KNOCKOUT LEGEND		
SYMBOL	SIZE	QTY.
A	9/32 KO	1
B	3/8 X 1/2 KO	4
C	1/2 X 3/4 KO	13
D	1/2 X 3/4 X 1 X 1/4 KO	1
E	1 X 1 1/2 X 2 X 2 1/2 KO	5

UNIVERSAL HUB	
CONDUIT SIZE	CATALOG NO.
3/4	TC75
1	TC100
1 1/4	TC125
1 1/2	TC150
2	TC200
2 1/2	TC250
CLOSING CAP	TCCP

CATALOG NUMBER  
TMCQ1210RCA



OUTLINE DRAWING FOR OUTDOOR  
12 SPACES LOAD CENTER

THIRD ANGLE	SHEET#	DWG NO.	DATE	REV
	1 of 1	1TQC163000Z0163	03-Sep-24	B

ALL DIMENSIONS HAVING +/- .125 TOLERANCE.

14

13

12

11