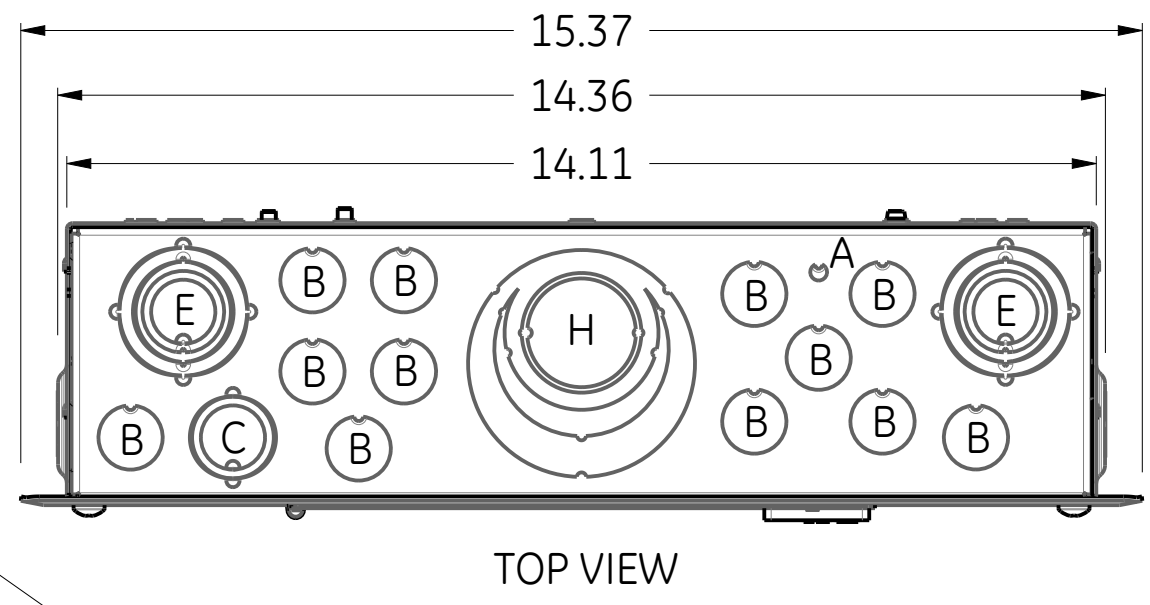


14

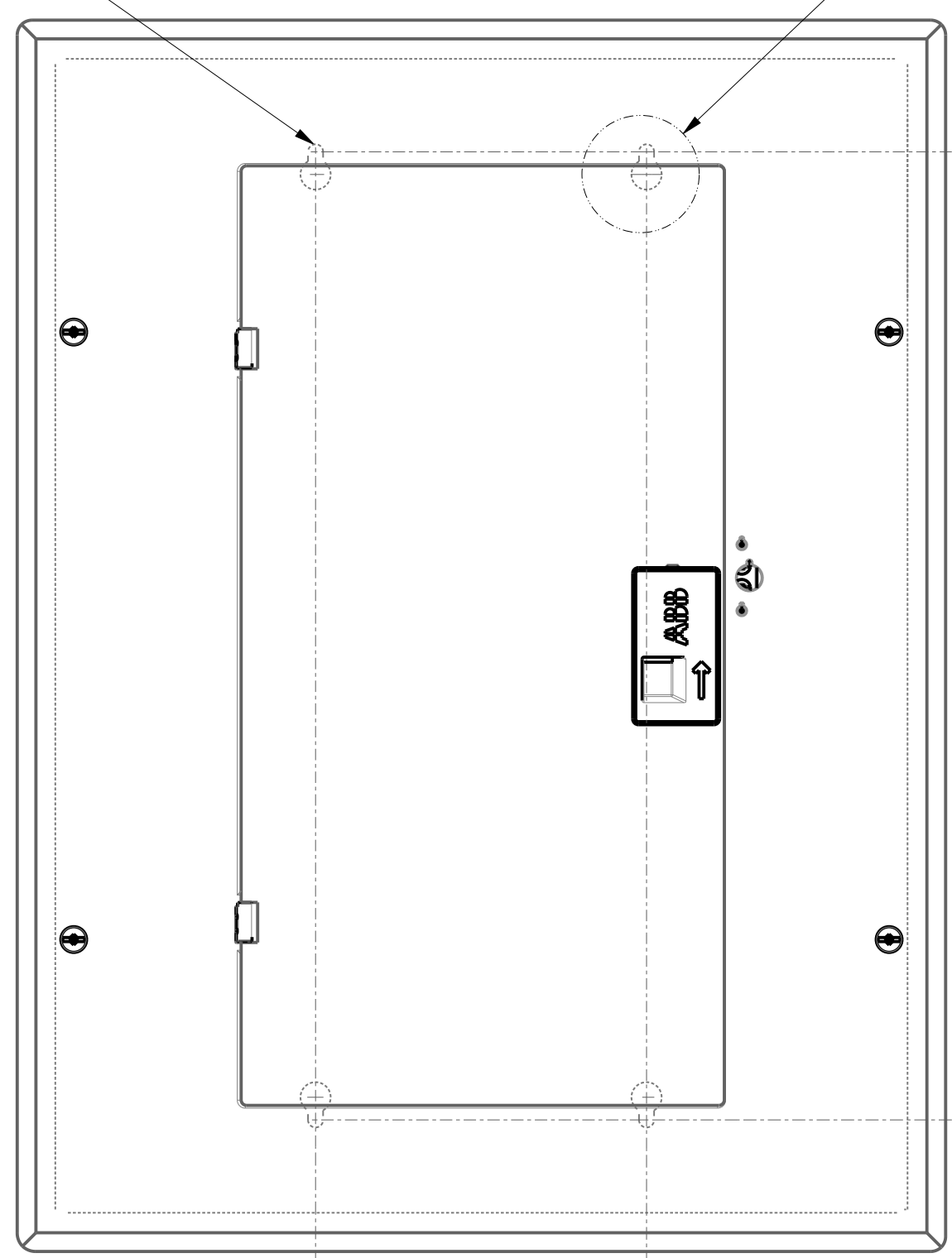
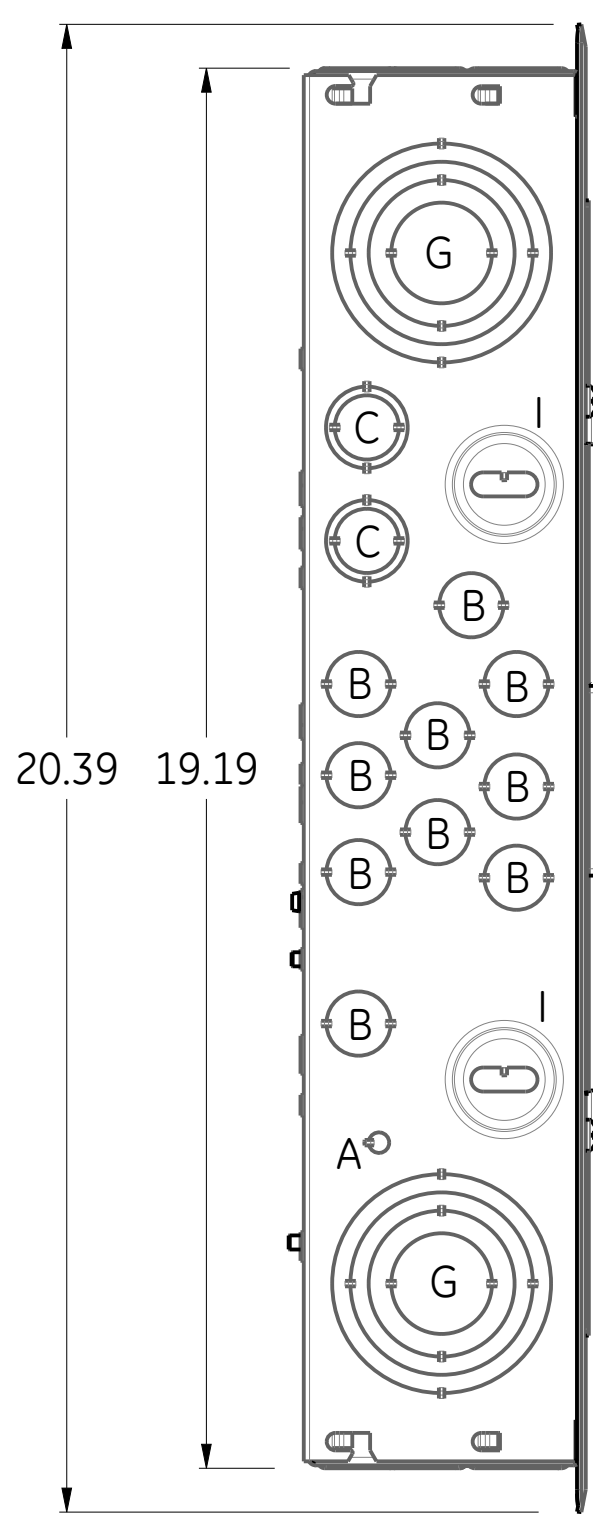
13

12

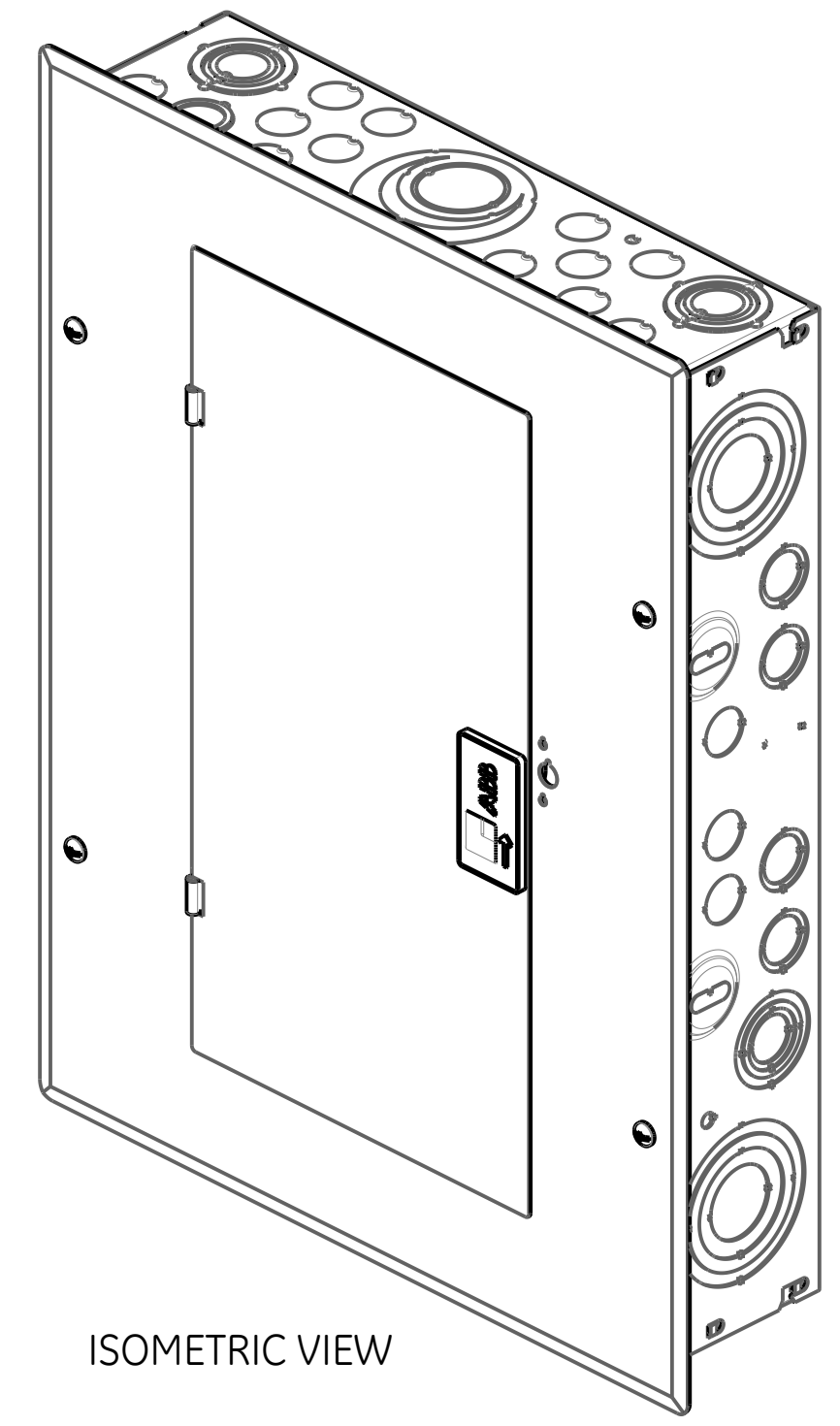
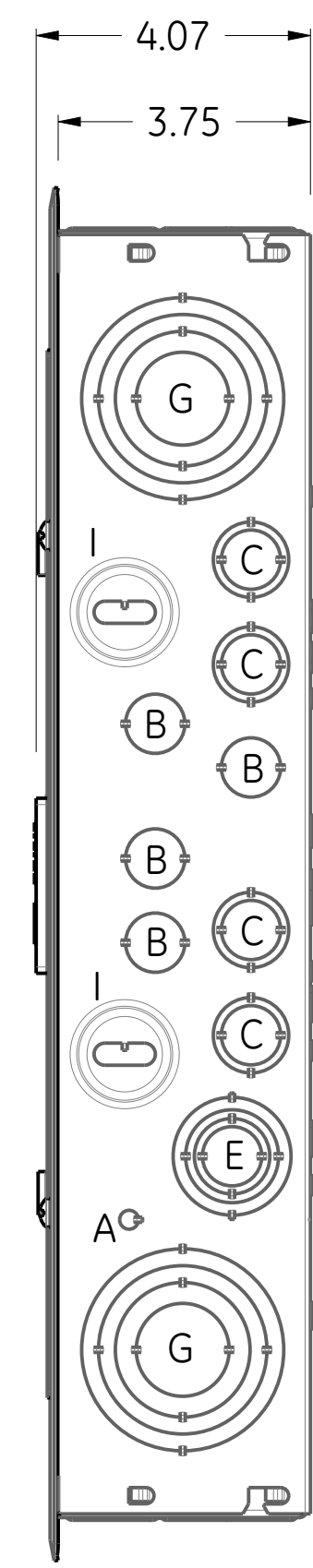
11



MOUNTING HOLES (4X)
ON THE BACK SURFACE
OF THE ENCLOSURE

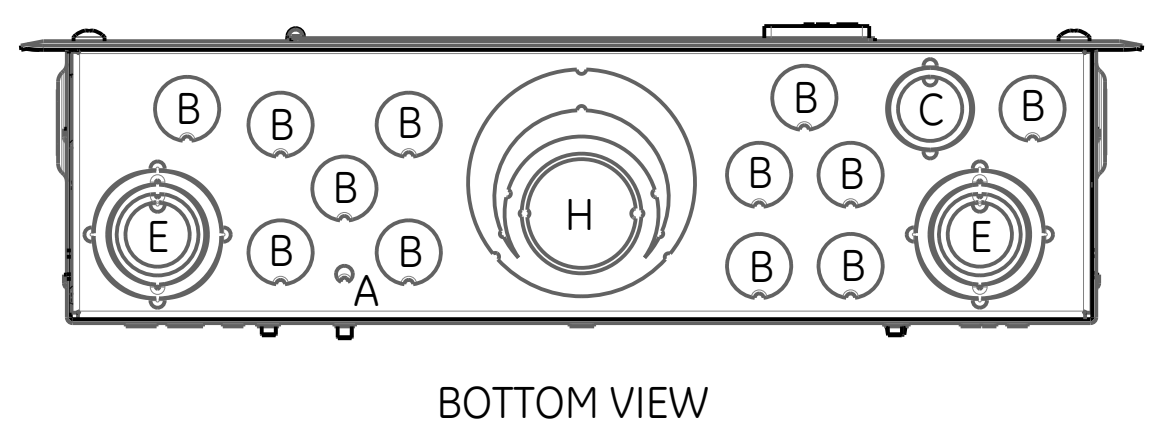
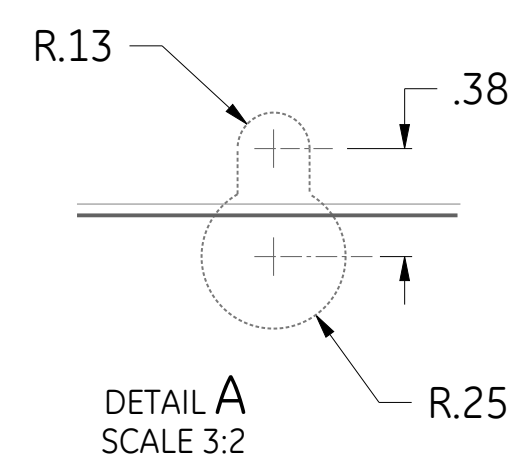


SEE DETAIL A



KNOCKOUT LEGEND		
SYMBOL	SIZE	QTY.
A	9/32 KO	4
B	1/2 KO	38
C	1/2 X 3/4 KO	15
D	1/2 X 3/4 X 1 KO	1
E	1/2 X 3/4 X 1 X 1 1/4 KO	6
F	1 X 1 1/4 X 1 1/2 X 2 KO	2
G	1 X 1 1/2 X 2 X 2 1/2 KO	5
H	1 X 1 1/4 X 1 1/2 X 2 X 2 1/2 KO	2
I	.219 X 0.08 OBLONG KO	4

CATALOG NUMBER	DESCRIPTION
TMCQ1210CCAW	MAIN BREAKER LOAD CENTER 12 SPACES 1 PHASE 100 AMPS CSA WHITE



THIRD ANGLE	SHEET#	DWG NO.	DATE	REV
	1 of 1	1TQC163000Z0143	29-Aug-24	B

ABB

**OUTLINE DRAWING FOR INDOOR
12 SPACES FLUSH/SURFACE LOAD CENTER**

14

13

12

11