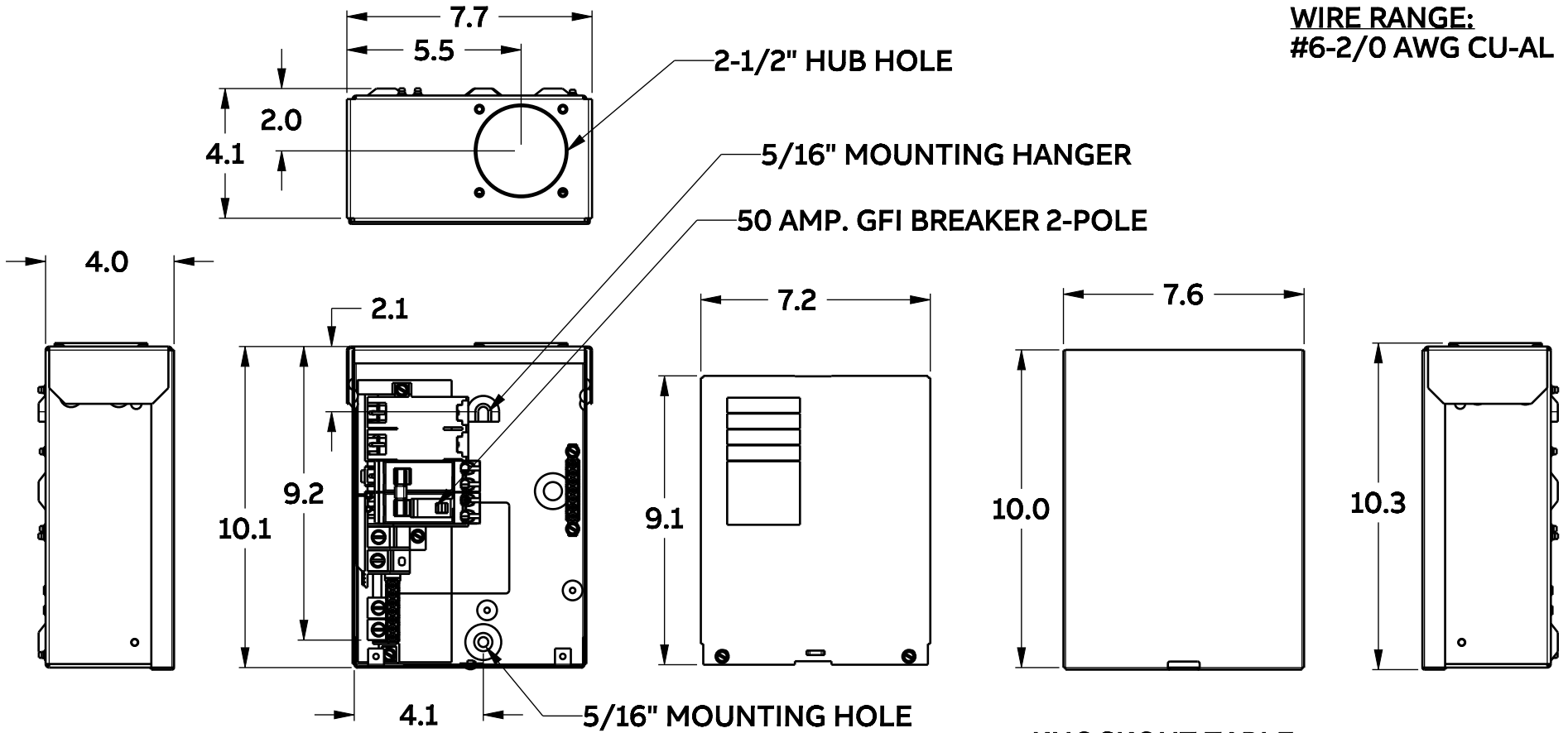
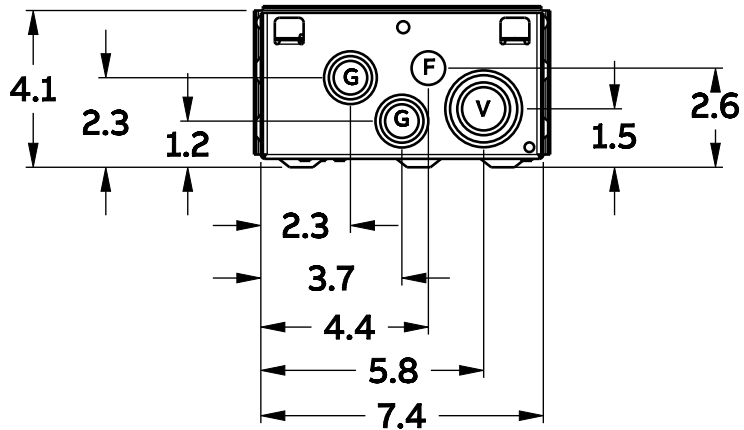


**WIRE RANGE:**  
#6-2/0 AWG CU-AL



**KNOCKOUT TABLE:**

F= 1/2" KO
G= 1/2", 3/4", 1" KO
V= 3/4", 1", 1-1/4", 1-1/2" KO



*Midwest Electric Products*



TITLE

**UG412RMW250  
OUTLINE DRAWING**

SIZE MODEL

A

**UG412RMW250M01**

REV

**T**

SCALE: 1:10

**UG412RMW250M01\_OD**

SHEET 1 of 1