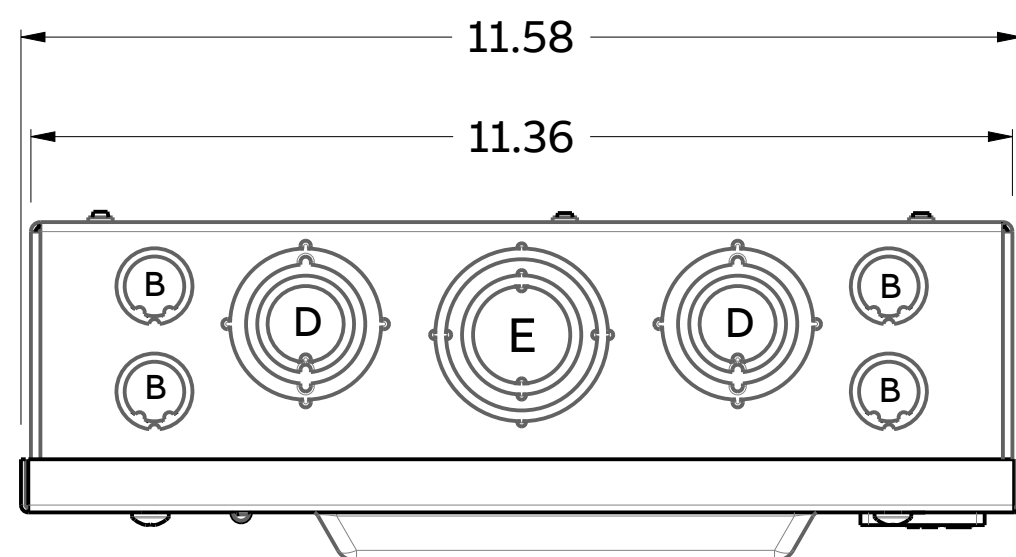


14

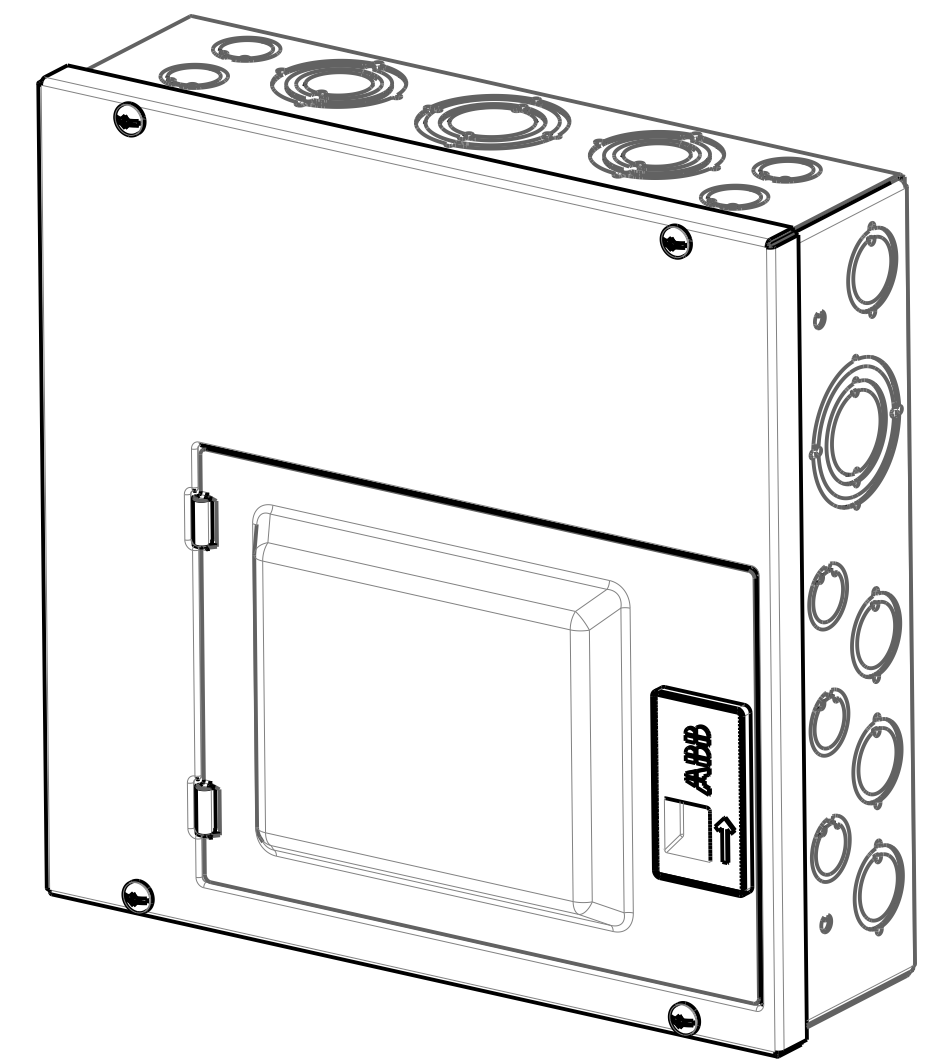
13

12

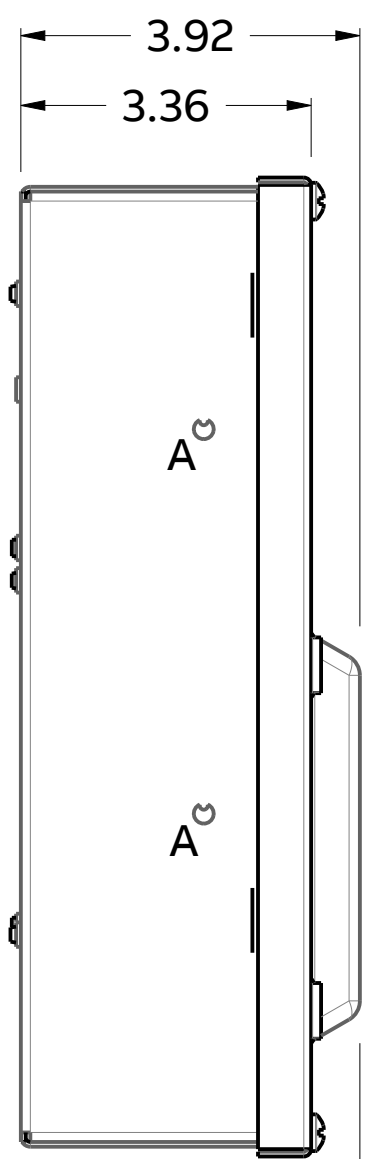
11



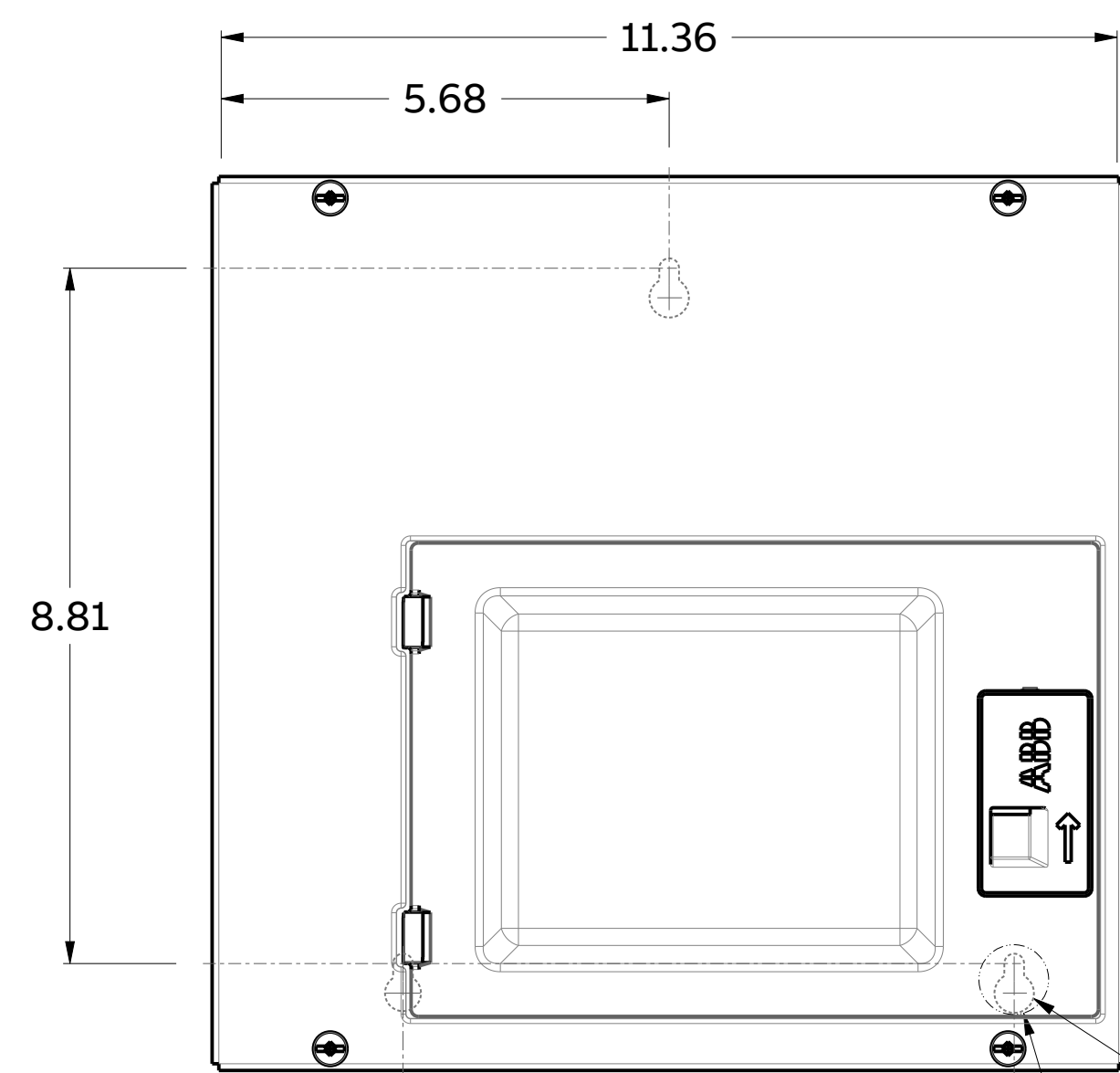
TOP VIEW



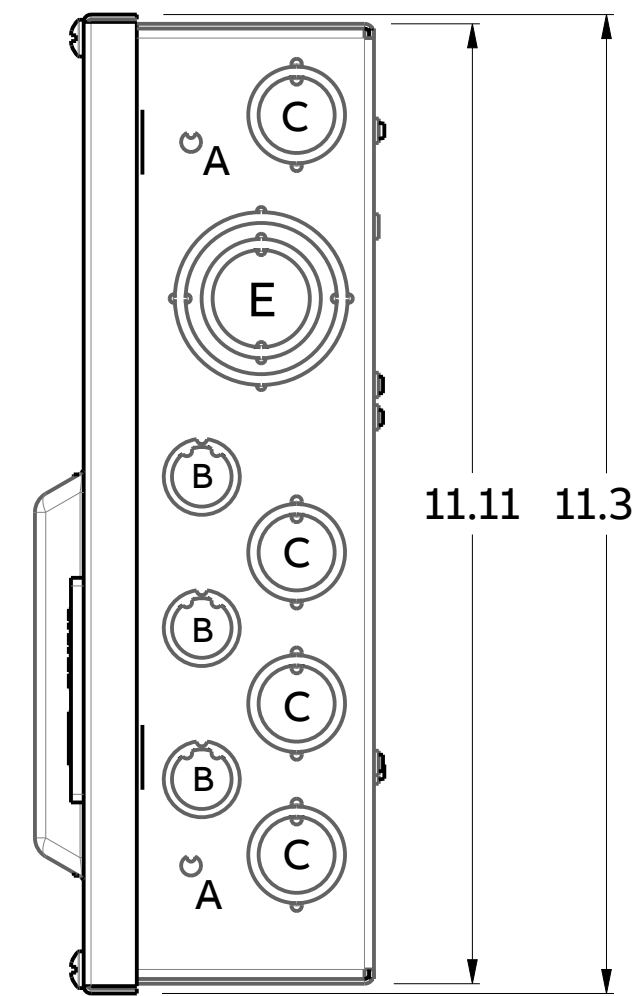
ISOMETRIC VIEW



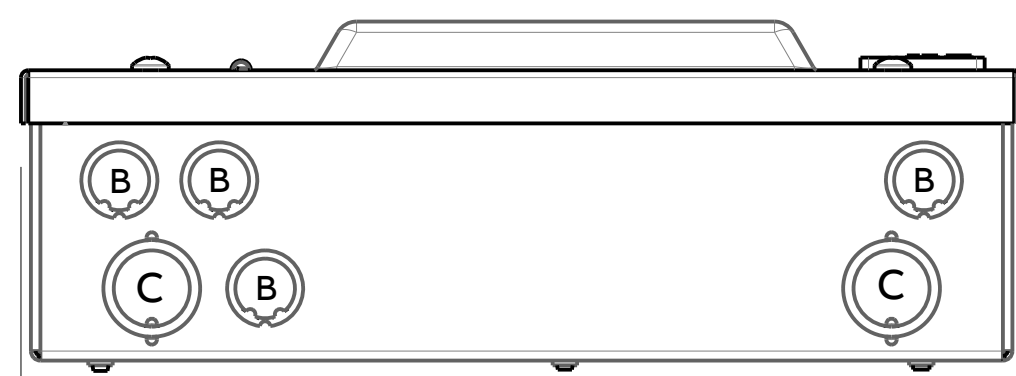
LEFT VIEW



FRONT VIEW



RIGHT VIEW



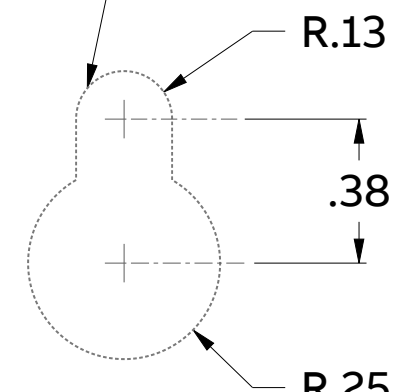
BOTTOM VIEW

KNOCKOUT LEGEND	
SYM	DESCRIPTION
A	9/32 KNOCKOUT
B	3/8 X 1/2 KNOCKOUT
C	1/2 X 3/4 KNOCKOUT
D	1/2 X 3/4 X 1 X 1 - 1/4 KNOCKOUT
E	3/4 X 1 X 1 - 1/4 X 1 - 1/2 KNOCKOUT

CATALOG NUMBER
TLCQ612SCU
TLCQ612SCUD
TLCQ812SCU
TLCQ812SCUD

IF CATALOG NUMBER INCLUDES "D", IT INCLUDES DOOR, OTHERWISE NO DOOR INCLUDED

3 KEY SLOTS FOR CUSTOMER MOUNTING



DETAIL A SCALE 2:1

**ABB**

**OUTLINE DRAWING FOR INDOOR  
6/8 SPACES SURFACE LOAD CENTER**

THIRD ANGLE	SHEET#	DWG NO.	DATE	REV
	1 of 1	1TQC163000Z0142	02-Sep-24	B

14

13

12

11